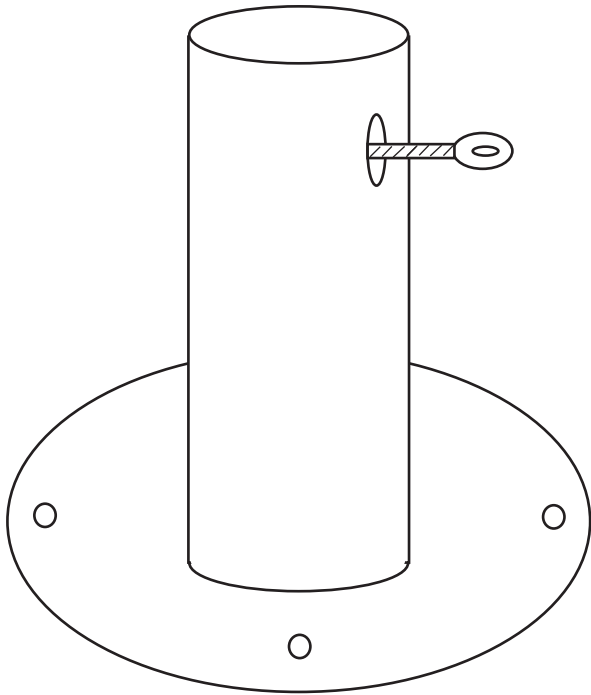

PROTECT YOUR SPACE

Pole Tip Protector



Damage to asphalt has cost The Radium a great amount of money in many areas you might not know about. The major cost is in asphalt repair. More than 1/2 our 15 acres is repaired each year and costs nearly \$1/2 million.

We have not asked our sellers to share this cost in any way.

Seller Damage is now beginning to become a problem to this new asphalt.

The reason is that sellers are not putting any protection on the end of their canopy poles. This is causing deep holes in this brand new asphalt.

The Solution is to put one of two items on the ends of all canopy poles.

The small fitting shown can be bought on the grounds from a swap meet supply vendor.

These are just \$3.00 or \$3.50 each depending on the size of your poles.

Cement filled cans are alright also.

But one of these must be used at all items on every canopy pole that touches the ground.

Rubber tips or similar protection must be on all slanted display table legs that touch the ground also. (see page 18.)

Sellers will pay a fee to repair damaged asphalt.

Since The Radium paid for new asphalt, this is only fair.

Our policy is, any seller without proper protection on pole ends will be charged \$25. This is what it will cost to repair these holes - if we are able to at all. Repeat offenders may be banned from selling for a length of time decided by management.

No exceptions!